

# SANY

## HYDRAULIC EXCAVATOR SY35U

Engine **YANMAR 3TNV88F**  
Power **18,2 KW/2200 RPM**  
Operating Weight **3855 KG**  
Ground Pressure **34 KPA**



- RELIABLE FIRST-CLASS COMPONENTS
- LOWER FUEL CONSUMPTION
- SIMPLIFIED SERVICE

# SPECIFICATIONS

ENGINE	
Model	3TNV88F
Displacement (L)	1,642
Engine power at rated engine speed (kW/rpm)	18,2/2200
Max. Torque (N · m/rpm)	85,3-94,2/1320(+100/-100)

SERVICE REFILL CAPACITIES (L)	
Fuel tank	40
Engine coolant	6,3
Engine oil	6,7
Swing drive	/Hydraulic self-lubrication
Final drive (each side)	0,7
Hydraulic oil tank	40

HYDRAULIC SYSTEM	
Typ	Load sensing system
Number of selectable working modes	2
Main pump	
Typ	Variable-capacity piston pumps
Maximum flow (L/min)	88
Hydraulic motors	
Travel	2*axial piston motor with parking brake
Swing	*axial piston motor with swing holding brake
Relief valve setting	
Implement circuits (MPa)	27
Travel circuit (MPa)	27
Swing circuit (MPa)	20,6
Heavy lift circuit (MPa)	
Pilot circuit (MPa)	3,5
Hydraulic cylinders	
Boom cylinder diameter x stroke (mm)	84x500
Arm cylinder diameter x stroke (mm)	75x588
Bucket cylinder diameter x stroke (mm)	65x538
Blade cylinder diameter x stroke (mm)	85x160









OPERATING WEIGHT	
Operating weight with standard bucket, fully serviced, +75 kg operator (ISO)	
Operating weight (kg)	3855
Ground Pressure (kPa)	34

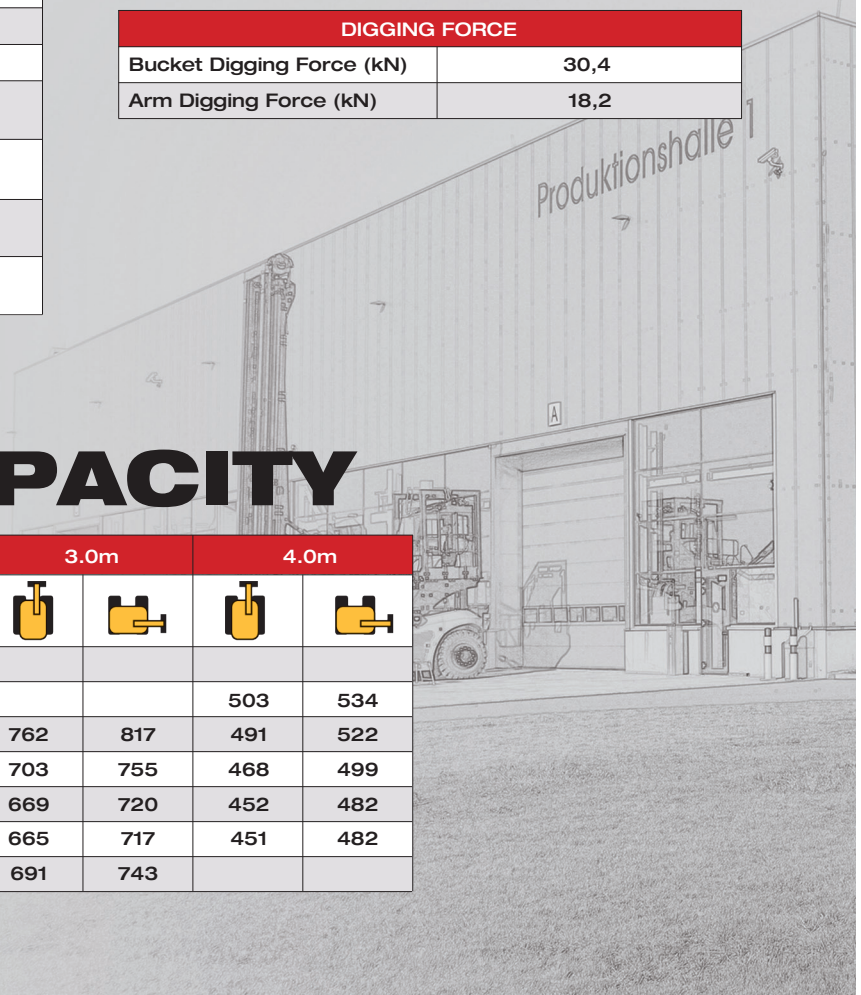
DRIVE	
Travel Speed (Low/High) (km/h)	4,4/2,4
Maximum Travel Force (kN)	36,8
Gradeability	30°

SWING	
Swing Speed (rpm)	9

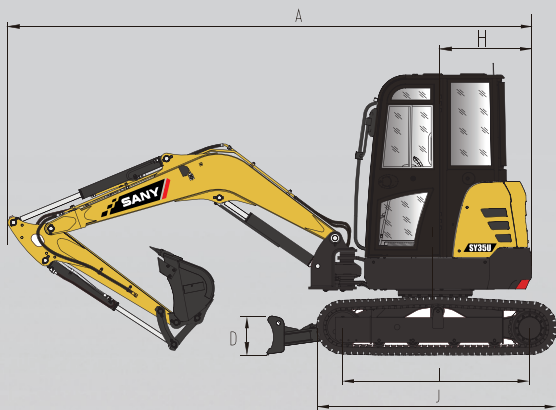
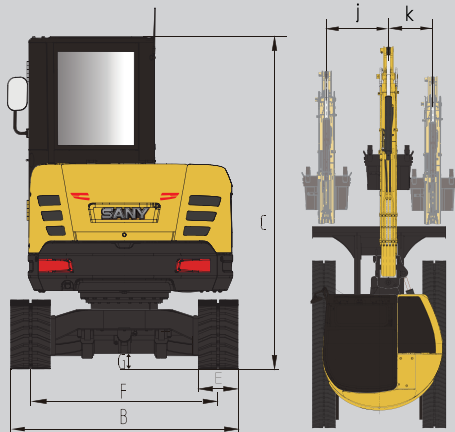
DIGGING FORCE	
Bucket Digging Force (kN)	30,4
Arm Digging Force (kN)	18,2

# LIFTING CAPACITY

A \ B	MAX		2.0m		3.0m		4.0m	
								
4m (kg)	660	704						
3m (kg)	458	486					503	534
2m (kg)	386	411			762	817	491	522
1m (kg)	364	387			703	755	468	499
0m (kg)	371	398			669	720	452	482
-1m (kg)	431	459	1245	1377	665	717	451	482
-2m (kg)	620	665	1287	1423	691	743		



# DIMENSIONS

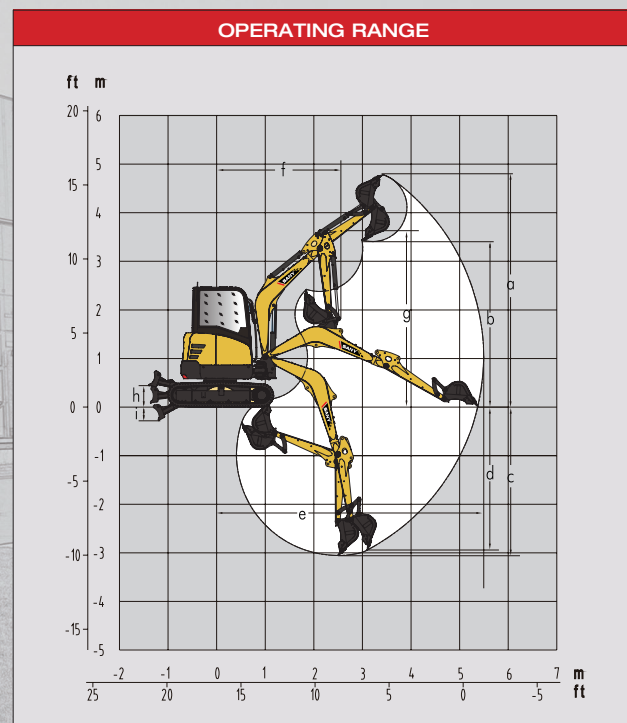


ITEM	mm
A Transport Length	4915
B Transport Width	1720
C Transport Height	2515
D Upperstructure Width	1550
E Blade Height	350
F Standard Track Shoe Width	300
G Track Gauge	1420
H Minimum Ground Clearance	295
I Tail Swing Radius	860
J Center distance of tumbler	1670
K Overall length of crawler	2155
Counterweight Clearance	590
Boom Length	2540
Arm Length	1400

UNDERCARRIAGE	
Track shoe width (mm)	300
Number of track shoes (per side)	Rubber crawler
Carrier roller (per side)	1
Track roller (per side)	4



ITEM	mm
A Max. Digging Height	4855
B Max. Dumping Height	3460
C Max. Digging Depth	3105
D Max. Vertical Digging depth	2700
E Max. Digging Reach	5465
F Min. Swing Radius	2475
G Height at Min. Swing Radius	3685
H Max. Clearance when Blade up	375
I Max. Depth of Blade down	370



QUALITY CHANGES THE WORLD

## Standard Equipment

### Operators Enviroment

- ROPS cabin mounted on Silicone Rubber
- Mechanical suspension seat
- Multi Language Display
- Air conditioning C/H
- Radio
- 12v outlet
- Cup holder
- Document compartment

### Safety

- Battery master switch
- Fire-Extinugisher
- Rear mirror
- Emergency Hammer
- Travel Alarm and Beacon
- Engine emergency cut off from ground
- User Manual

### Working Equipment

- Boom :Standard 2540mm
- Arm:Standard 1400mm
- AUX Line- Breaker/Shear /Pedal control
- Frond Dozer Blade
- 2 speed travel 2.4~4.4km/H

### Undercarriage

- Rubber shoes 300mm
- Carrieroller per side : 1
- Track roller per side : 4

### Lights

- Roof light 2x
- Boom light(left) 1x

Not all products are available in all markets. Under our policy of continuous improvement, we reserve the right to change specifications and design without prior notice. The illustrations do not necessarily show the standard version of the machine.

# SANY

**ADDR SANY EUROPE GMBH**  
**SANY ALLEE 1, D-50181 BEDBURG**

**TEL 0049 2272 90531 100**

**FAX 0049 2272 90531 109**

**MAIL [info@sanyeurope.com](mailto:info@sanyeurope.com)**

**NET [www.sanyeurope.com](http://www.sanyeurope.com)**



[facebook.com/sanyeurope](https://facebook.com/sanyeurope)